



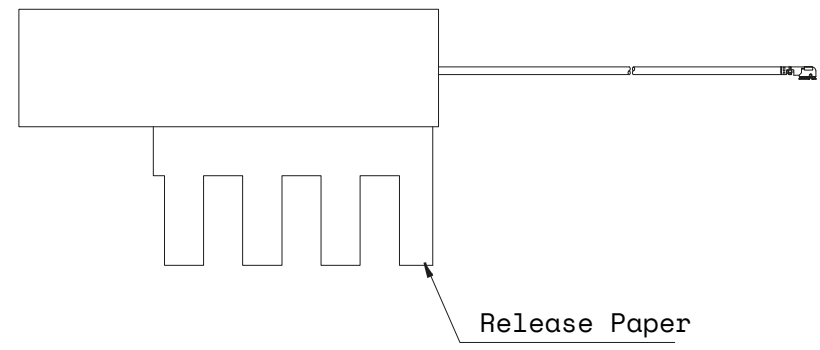
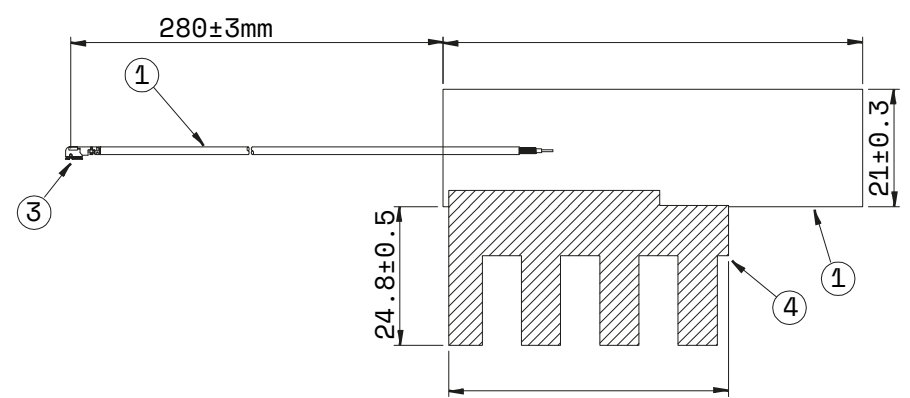
RoHS Compliant

A  
B  
C  
D  
E

1 2 3 4

FRONT

BACK



⑦	Frequency range	699 to 960 MHz and 1710 to 2170MHz	<b>pycom</b>		Part NO.. 700461341703		
⑥	Average gain	1.5dBi					
⑤	Peak gain	2.0dBi					
④	Copper Mylar	Copper Mylar, Size 50X27.7mm	1	Title: Antenna 2			
③	Connector	MHF Plug,Gold Plated,Halogen Free Type	1	Drawn By	H.Peykov	Drawing NO.	2351
②	Cable	1.13mm Coaxial Cable,FEP, Black Jacket	1	Checked By	D.Campora	Drawing Size	A3
①	PCB	PCB Size: 75X21X0.6mm	1	Approved By	D.Campora	UNIT	mm
NO	Item	DESCRIPTION	QTY	Sorting NO.	PAGE	1 of 1	