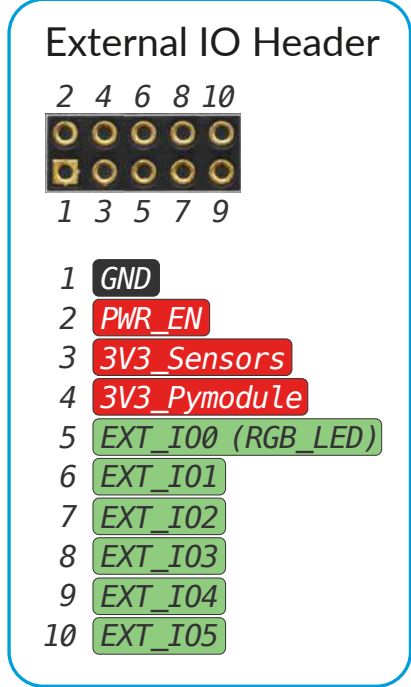
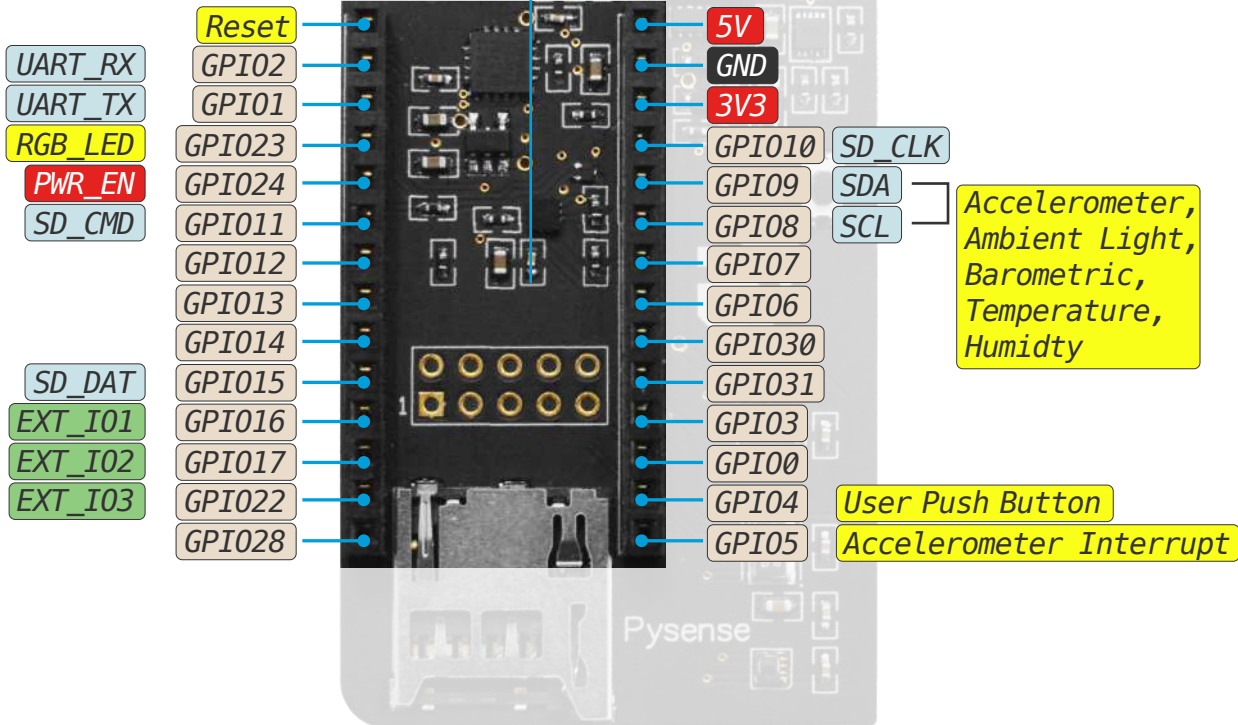


- Power
- GND
- Serial Pin
- Analog Pin
- Control
- Port Pin



Correct Board Mounting

RGB LED must be at the top of the board, above the USB connector

